



- ✓ Height Safety Systems & Equipment
- ✓ Rescue Equipment
- ✓ Confined Space Equipment
- ✓ Accredited Training
 - ❖ Confined Space
 - ❖ Working at Height
 - ❖ Vertical Rescue
- ✓ Gas Detection
- ✓ BLH Stop Drop Barricading ~ Prevention of Dropped Objects
- ✓ MiOCS™ Electronic Pre-Start
- ✓ Trailer Edge Management Systems
- ✓ Medical Equipment
- ✓ Emergency Response Training & Equipment

Pulleyman Winch Model Number CSW-3060

MULTIPURPOSE AND PORTABLE WINCH



PULLEY MAN



Capacity 300 kg



Your one-stop Safety Solutions Provider

P: 07 4772 0241 F: 07 4772 3240 E: solutions@safeoptionsolutions.com.au

24 Ethel Street, Hyde Park. QLD 4812

www.safeoptionsolutions.com.au

ELLENAXE PTY LTD t/as *Safe Option Solutions* ABN 63 105 174 098

Use: Lifting or Pulling

- Construction & engineering sites
- Assembly & dismantling of steel structures
- Industrial plants & mines
- Electric & cable works
- Portable car winch & handy crane
- Lifting, cleaning & repair work in high buildings
- Rescue work

Technical Properties

- Can be used with all drills, cordless or not.
- Easy to set up: suspension hook.
- Small size: (3.5 kg net weight)
- Works in all positions.
- Lifting capacity: 300 kg on one fall
- Haulage capacity for loads on wheels:
 - from 450 to 1,500 kg on one fall depending on the slope.
- Cable length :
 - unlimited in traction,
 - limited to 50 m in lifting
- Automatic load maintenance system (patented self-braking brake reducer).
- Supplied as standard with 12 m of cable (aviation type Ø 4.76 mm galvanized steel cable).

Max 20metres in Australia
This is supplied as a spare part
20metres of rope. Additional
pricing for 20metres is \$371.00
each + GST



Lifting of manhole-cover in connection with a tripod



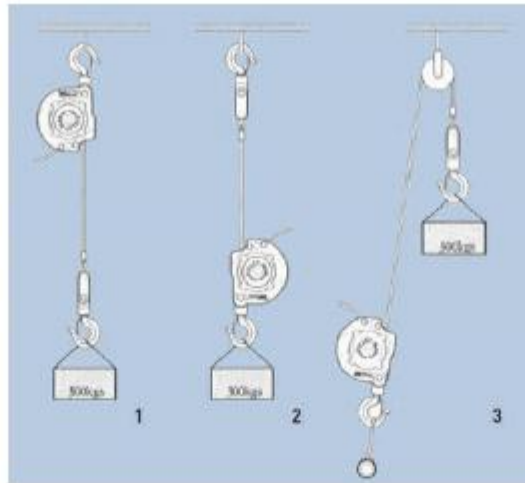
Fixed at the tripod, using an adapter plat with stop ring



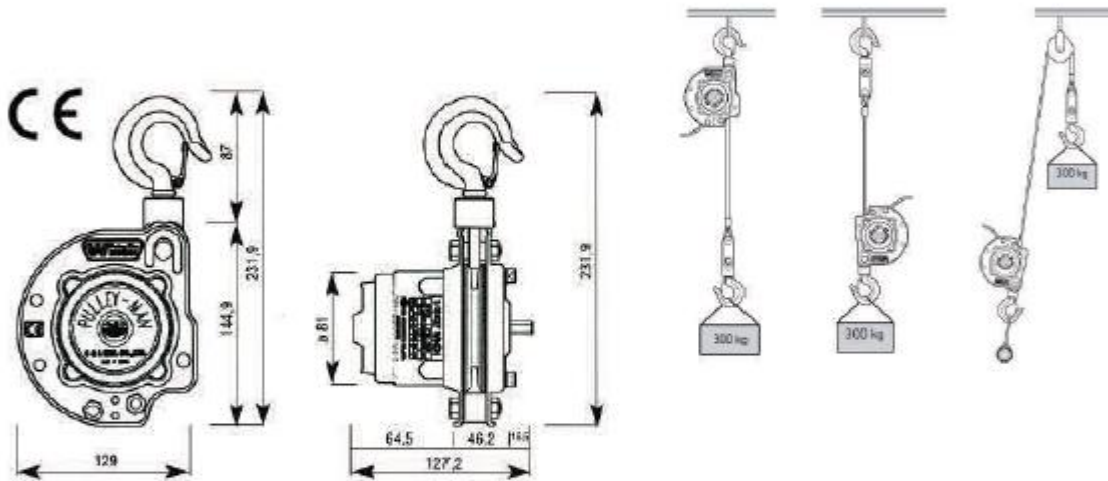
A helpful device in the forestry



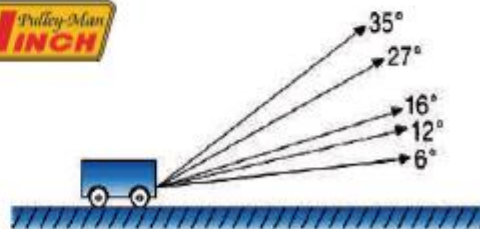
Very short design height



1 – Single fall – Winch at the top 2 – Single fall – Winch at the bottom 3 – Single fall – Winch in the middle



	No. of falls	Single line
Pulling capacity	6°	1,500
	12°	975
	16°	825
	27°	585
	35°	990



Power Source Options	Hand Drill	220V / 1 f, 550W, 3000rpm (Max), Reversible
	Cordless Drill	3/8" (10mm), 12/9.6V DC, Max Torque above 230in./lbs, Reversible
	DC Motor	DC 12V, 3000rpm (Max), Reversible
	Any other compatible motor with 3000rpm (Max), Reversible.	

**For further details contact Loretta Reid Phone 0438 734895
or email loretta@safesolutions.com.au**



Certificate of Compliance

Project:	<u>CSW-3060 Pulley Man Winch Certification</u>	Prepared:	Leon Taylor
Client:	Air & Allied Sales Pty Ltd	Issue Date:	15/06/2015
		Revision	01
Job No.	AAL-001	Total pages:	2

Scope

As requested by Air & Allied Sales, Practical Engineering Australia has conducted a Load testing and certification of the CSW-3060 Pulley man winch to the following design data, assumptions and applicable Australian Standards.

Design data

The CSW-3060 Pulley man winch & Pulley Man User's Manual as provided by Air and Allied Sales.

Applicable Standards

The following Australian Standards were used to assess [Insert data]:

- AS1418.1 – 2002: *Cranes, hoists and winches – General Requirements*
- AS1418.2 – 1997: *Cranes hoists and winches – Part 2: Serial Hoists and winches*
- AS 3777 – 2008: *Shank Hooks and Large Eye Hooks*

Exclusions

The following items have been excluded from this certification:

- Certification of the winch in its 600kg (Double line use) arrangement.

Operation Loads

The winch is rated to a Maximum Rated Capacity (MRC) of 300kg.

Load Testing

- The winch was load tested as per AS1418.2 – 1997. The full findings of the load testing detailed in ALL001-R15062015 - CSW-3060 Load Test Report_REV01.
- The hoist was stripped and a fatigue analysis of the mechanical items in the load path in accordance with AS1418.2 for a M1 rated hoist.
- The hook was tested to AS 3777.

Certification requirements

- Each individual winch shall have a test load applied to it equal to its MRC, as per AS1418.2-1997 section 1.11.5.
- The winch doesn't meet the clause by clause requirement of AS1418.2 – 1997 Clause 3.3.11. To provide over and under limit protection the winch is only to be used when the following conditions are met:
 - The physical end stops on the wire rope shall not be tampered with.
 - The winch shall be used only with a power source that incorporates an overload protection.

T 07 3875 2133 F 07 3875 2177
 A 1 Colebard Street East, Acacia Ridge, QLD 4110
 P PO Box 61, Corinda, QLD 4075
 E info@praceng.com.au
 www.praceng.com.au



Marking:

Required marking shall include:

1. Type Model Identification
2. Serial Number
3. Details of steel wire rope used on hoist as follows
 - a. Nominal size
 - b. Grade (quality)
 - c. Construction
 - d. Length
4. Classification of mechanism of the wire rope hoist : M1
5. Rated Capacity hosting : WLL 300kg
6. Name of identification mark of the manufacturer of the wire rope hoist
7. Power supply requirements

Results:

Under the above conditions, analysis shows that the CSW-3060 Pulley Man Winch is compliant to the structural and mechanical requirements of AS 1418.2 Class M1 and AS 3777

Report Preparation

I, Leon Taylor, confirm that the above Air and Allied Sales CSW-3060 Pulley Man Winch has been certified in accordance with relevant Australian Standards and is fit for purpose.

Signature



Date 15/06/2015

Name

Leon Taylor BEng (Mech),
Design Engineer

RPEQ Review by

I, Joe Norris, certify that the above Air and Allied Sales CSW-3060 Pulley Man Winch has been certified in accordance with relevant Australian Standards and is fit for purpose.

Signature



Date 15/06/2015

For and on behalf of Practical Engineering Australia Pty Ltd

Name

Joe Norris BEng(Mech), MIEAust, CPEng, NPER, RPEQ
Engineering Manager