

Copyright © 2006 • Unique Concepts Limited • All Rights Reserved • Patent Pending  
Part # 9700102 • Rev. 00 • Printed in USA •  
Information / Images subject to change without notice



**capital**  
SAFETY

A Capital Safety Company

# ***Vehicle Hitch Mount Sleeve***



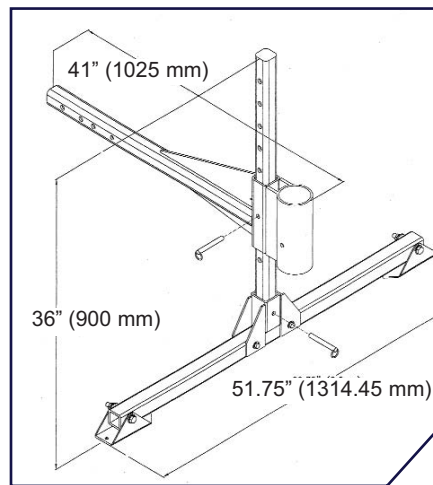
www.uclsafetysystems.com

## Features & Specifications

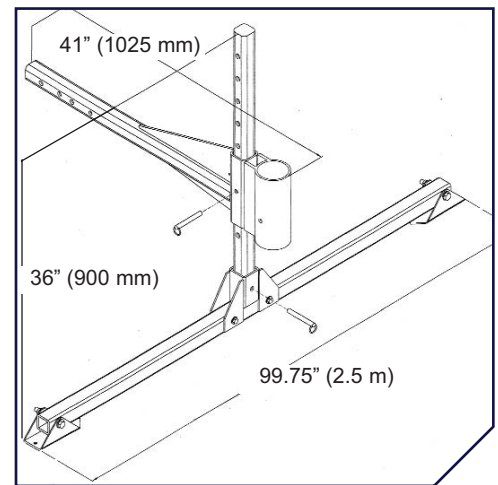


**Vehicle Hitch Mount Sleeve Assembly:** The UCL Vehicle Hitch Mount Sleeve is designed to install into a 2" hitch receiver on an attendant vehicle to provide a portable anchor point for confined space entry/retrieval, rescue and fall-arrest systems. Various sockets, extensions and accessories are available to allow use of the sleeve in a multitude of situations.

**10140**



**14461**



Price:	Part #	Description
<input type="checkbox"/>	10140	Vehicle Hitch Mount Sleeve Assembly <b>for a maximum 29" Offset Mast</b> (Zinc-plated Steel Construction) c/w powder coated aluminum stabilizer bar Complete Weight: 57 lbs (25.8 lbs)
<input type="checkbox"/>	14461	Vehicle Hitch Mount Sleeve Assembly <b>for a maximum 48" Offset Mast</b> Complete Weight: 62 lbs (28.1 lbs)

## Vehicle Hitch Sleeve Extensions

The Vehicle Hitch Mount Extension is designed to offer additional range to the standard hitch mount sleeve in applications where more distance is required between the vehicle and the entry. Extensions are available in a variety of lengths. A maximum of one extension can be used with a hitch mount and a bumper attachment. **Must not exceed 10 feet in length.**

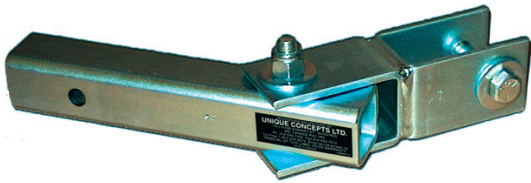


Price:	Part #	Description	Weight:
<input type="checkbox"/>	14503	2' Sleeve Extension	17 lbs ( 7.7 kg)
<input type="checkbox"/>	12829	4' Sleeve Extension	27.8 lbs ( 12.6 kg)
<input type="checkbox"/>	11384	6' Sleeve Extension	39 lbs (17.6 kg)



# Bumper Attachment Options

**11401**



**Universal Joint Assembly for UCL Vehicle Hitch Mount Sleeve:** The Universal Joint Assembly installs between the standard model 10140 Hitch Mount Sleeve or extensions and the attendant's vehicle to compensate for uneven ground conditions at the site. In addition, the Universal Joint allows the Vehicle Hitch Mount to be positioned off to either side of the attendant vehicle to make set-up more convenient.

Price	Part #	Description
<input type="text"/>	11401	Universal Joint Assembly

Weight: 10 lbs ( 4.5 Kg)

**13800**

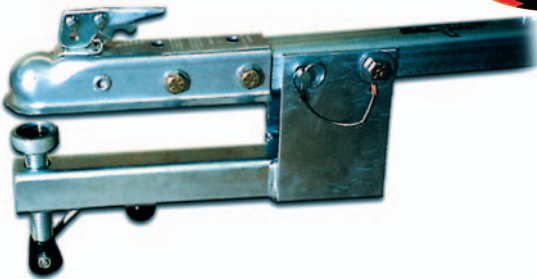


**Pintle Hitch Adapter:** Allows the vehicle hitch mount sleeve to be secured to military or pintle style hitches without the need for any tools.

Price	Part #	Description
<input type="text"/>	13800	Pintle Hitch Adapter

Weight: 12.8 lbs ( 5.8 Kg)

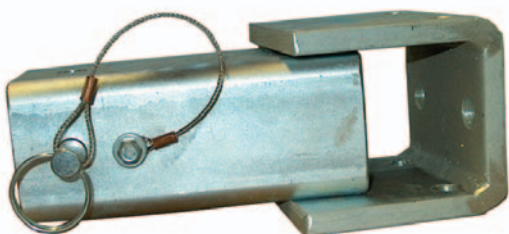
**13637**



**1-7/8" Ball Hitch Adapter & Adapter Kits:** Allows the vehicle hitch mount sleeve to be secured to ball hitch style hitches. Available in two different types.

Price	Part #	Description	Weight
<input type="text"/>	13637	1-7/8" Ball Hitch Adapter	Weight: 15.8 lbs ( 7.4 Kg)
<input type="text"/>	11320	2" Ball Hitch Adapter	Weight: 16 lbs ( 7.6 Kg)

**12830**



**Single-Direction Bumper Receiver:** This single direction receiver can be bolted or welded onto the front, back or side of a service vehicle to offer easy access to the entry using the vehicle hitch mount sleeve.

Price	Part #	Description	Weight
<input type="text"/>	12830	Single-Direction Bumper Receiver	Weight: 7.6 lbs ( 3.5 Kg)

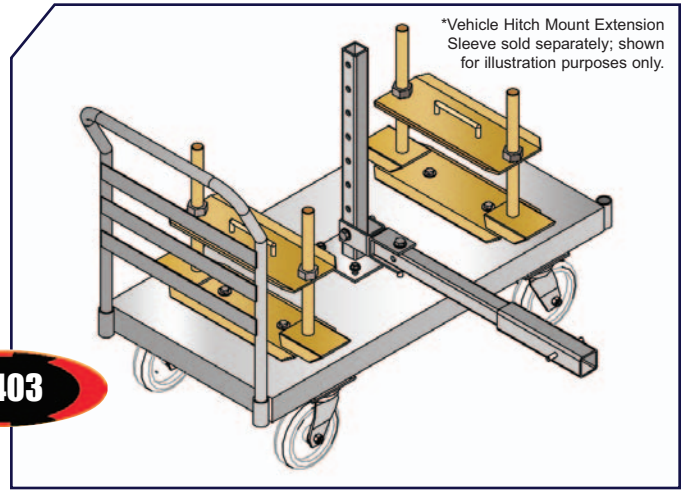
# Optional Accessories, Replacement Parts & Carrying Bags

**Counterweight Cart for UCL Hitch Mount Sleeve System:** The counterweight cart is designed for use with the vehicle hitch mount sleeve and extensions for indoor areas or places where vehicles can not access (*Weight plates not included*). Also available in 304 stainless steel for applications in highly corrosive environments.

Price	Part #	Description
<input type="checkbox"/>	15403	Counterweight Cart for UCL Hitch Mount Sleeve System (shown)
<input type="checkbox"/>	16098	304 SS Counterweight Cart for UCL Hitch Mount Sleeve System

Weight: 300 lbs ( 136 Kg)

*\*Please call for additional information regarding the required number of weights needed*



**15403**

You are reading the brochure highlighted below:

Look for these additional UCL Accessory brochures marked \* to accompany this catalogue:

\* Hoists, Davits, Bases & Accessories - #9700101

**Vehicle Hitch Mount Sleeve - #9700102**

Counterweight Systems - #9700103

\* Winches & Brackets - #9700104

Tripods & Accessories - #9700105

Pole Hoist - #9700106

Side Entry/Tank Pod Systems - #9700107

Portable Fall Arrest Systems - #9700108

Engineered Systems - #9700109

Portable Tanker Access Ladder Sys. - #9700110

Basic Hoists - #9700111

Fold Up Hoist - #9700112

Glide 360 Rail System - #9700113

UCL Product Summary - #9700114



**15188**



**Wheel Kit for the UCL Vehicle Hitch Mount Sleeve:** This convenient option is available for short distance transportation in areas where multiple entries are required. This wheel kit is for transportation purposes only.

Price	Part #	Description
<input type="checkbox"/>	15188	Wheel Kit for the Vehicle Hitch Mount Sleeve

Weight: 12 lbs ( 5.4 Kg)

## Bases & Replacement Parts

Price	Part #	Description
<input type="checkbox"/>	10139	36" Vertical Tube for Vehicle Hitch Mount Sleeve
<input type="checkbox"/>	14437	Base for UCL Hitch Mount Sleeve for a maximum 29" Offset
<input type="checkbox"/>	14451	Base for UCL Hitch Mount Sleeve for a maximum 48" Offset
<input type="checkbox"/>	14459	UCL Vehicle Hitch Mount Sleeve (Steel Sleeve Section)

Distributed by:



USA: 1-800-328-6146  
 Canada: 1-800-387-7484  
 Asia: +852 2992 0381  
 Northern Europe: +44 (0) 1928 57 1324  
 Europe, Middle East, Africa:  
 +33 (0) 497 10 00 10  
 Australia, New Zealand: 1800 245 002  
 Or visit [www.capitalsafety.com](http://www.capitalsafety.com)



Manufactured by:  
**Unique Concepts Ltd.**

Unit 1 - 1500 King Edward Street  
 Winnipeg, Manitoba, Canada  
 R3H 0R5  
**Phone:** 204-694-7432  
**Toll Free:** 1-800-455-9673  
**Fax:** 204-694-7612  
**E-mail:** [qcm1@mts.net](mailto:qcm1@mts.net)  
 Or visit [www.uclsafetysystems.com](http://www.uclsafetysystems.com)